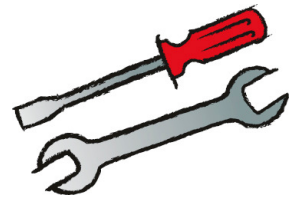




Das Original

TSI 05/11



Gasket Valve Cover



461.680

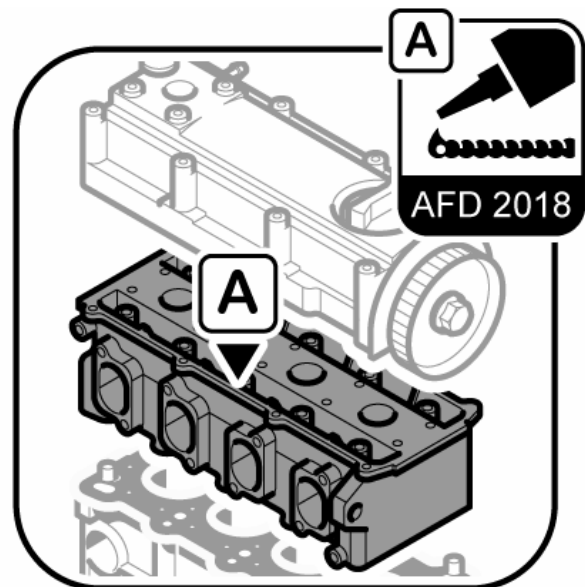


AFD 2018 – the anaerobic surface seal (red)

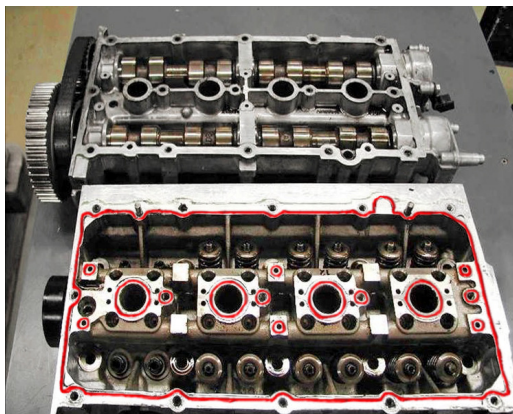
Is a solvent-free, stable sealing compound. A sealing film, resistant to media and temperature variations, forms and cures without air (anaerobic) by making metal contact between the two parts to be joined. The parts can nevertheless be easily separated again. Unlike with conventional surface sealants, none of the bolt load is lost as a result of the material “setting” when direct contact is made between metallic surfaces.

Processing and application

Clean and degrease the sealing surfaces using spirit or a similar solvent. Perfect sealing or adherence of the sealing compound is ensured only if the surfaces are clean and grease-free. Apply AFD 2018 to the complete sealing surface on one side by squeezing the concertina bottle, then fit the two parts together. There is no need to allow any drying time. We recommend allowing the engine to rest for about 2 hours prior to putting it into service, but the seal is functional immediately.



Application example



Alfa Romeo 1.8 TBi

Audi | Seat | Škoda | VW 1.2 TFSI

Audi | Seat | Škoda | VW 1.4 TFSI

Audi | Seat | Škoda | VW 1.6 FSI

Audi | Seat | Škoda | VW 1.8 TFSI

Audi | Seat | Škoda | VW 2.0 TDI 16V

Audi | Seat | Škoda | VW 2.0 TFSI

Mercedes-Benz M 272

Mercedes-Benz M 273

Mercedes-Benz OM 642

Seat | Škoda | VW 1.2 8V/16V

Seat | Škoda | VW 1.4 8V/16V

Seat | Škoda | VW 1.6 8V/16V

Volvo B5204

Volvo B5234

Volvo B5244

For information about the linked vehicles and engines, consult the Elring Web Catalog (E-KAT) at www.elring.de and TecDoc.