

# Electric Water Circulation Pump (WCP)

## Product Summary

Vehicle:	Product:	Electric water circulation pump		
	Pierburg no.:	Pierburg no.:	O. E. no. *:	
<b>BMW</b>	<b>7.02078.05.0</b>	7.02078.03.0/	6922699/	
		.10.0/	8381989/64118381989	
		.11.0/	6904496/64116904496	
		.12.0/	6903350/64116903350	
		.13.0/	6904541/64116904541	
		.14.0/	6907811/64116907811	
		.15.0/	6906375/	
<b>Rover</b>		.16.0	6913489/64116913489	
		7.02078.13.0	JJK 000010	
<b>Audi</b>	<b>7.02074.15.0</b>	7.02074.00.0	078 121 601/	
		7.02075.01.0	078121 599 B	
<b>VW</b>				

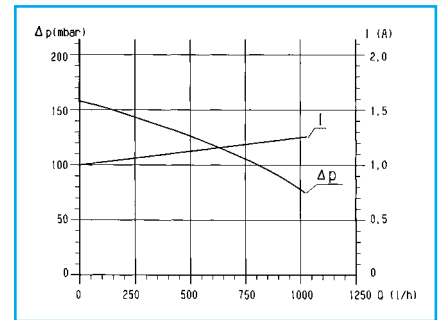
For the vehicles listed above, the water circulation pump (WCP) is needed as an auxiliary pump for fuel cooling, air conditioning, etc.

### Features

- Electric fuel pump operating on the centrifugal pump principle.
- Continuous control via pulse width modulation ("duty cycle").
- Hermetic separation between the pump mechanism and pump drive without additional seals or feedthroughs.
- The delivery rate is independent of the vehicle motor's rotation speed.
- Compact construction due to an electronically commutated motor.
- Runs very quietly with very low noise development, because it has only one moving part.
- The service life of the pump is practically limited only by the service life of the pump wheel bearings.



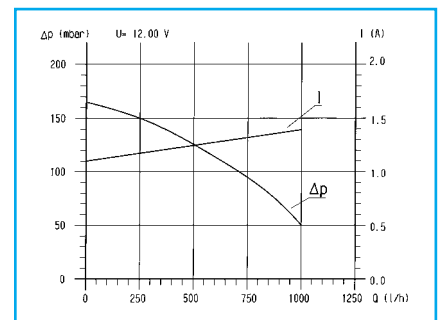
Product view of 7.02078.05.0



Typical characteristic curve for the pump



Product view of 7.02074.15.0



Typical characteristic curve for the pump

Subject to change and deviation from the illustrations.

Classification and replacement, see → the current catalog, TecDoc CD or system using TecDoc data. The reference numbers described are for comparison purposes only and may not be used in customer invoices.

### WCP 7.02078.05.0

#### Mounting orientation:

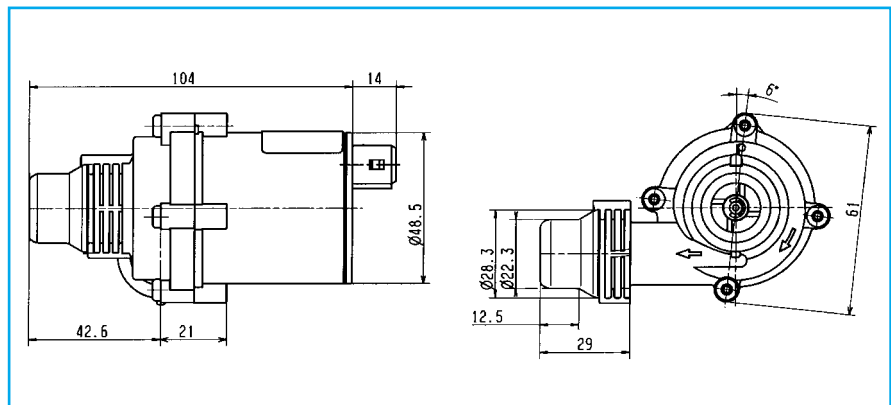
Horizontal or vertical with the pump mechanism directed down.

Mounting **on the motor is not permitted.**



The pump is not self-priming.

Technical Data		
Rated voltage:	[V]	12
Operating voltage:	[V]	9 to 15
Rated delivery pressure:	[mbar]	100
Flow rate:	[l/h]	min. 780 (at the rated delivery pressure)
Power input:	[A]	max. 1.4 (at the rated delivery pressure)
Temperature range:	[°C]	-40 to 135
Protection type:		IP 54 A
Weight:	[g]	max. 280



Dimensions for 7.02078.05.0

### WCP 7.02074.15.0

#### Mounting orientation:

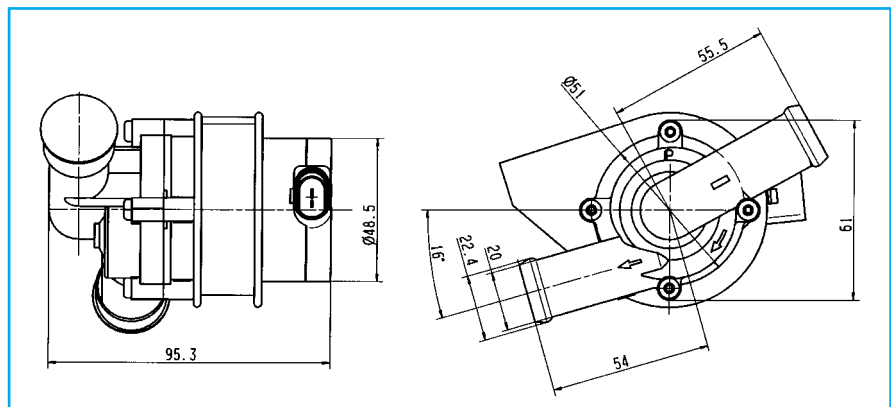
Horizontal or vertical with the pump mechanism directed down.

Mounting **on the motor is not permitted.**



The pump is not self-priming.

Technical Data		
Rated voltage:	[V]	12
Operating voltage:	[V]	9 to 15
Rated delivery pressure:	[mbar]	130
Flow rate:	[l/h]	min. 450 +/- 80 (at the rated delivery pressure)
Power input:	[A]	max. 1.3 (at the rated delivery pressure)
Temperature range:	[°C]	-40 to 135
Protection type:		IP 54 A
Weight:	[g]	330



Dimensions for 7.02074.15.0