

## Pressure/Vacuum Hand Pumps

### Product overview and new repair kits

Through the pressure/vacuum and pumps detailed, tests and adjustments of pressure dependent functions can be performed directly at the vehicle; practically everywhere where a pressure or vacuum is needed independently of the engine. Three different versions are available.

#### Benefits:

- Rapid and simple operation with one hand only
- Flexible through corresponding accessories
- With an additional vessel for liquids (see accessories), liquids can be sucked away
- Completely dismantlable

#### Pressure/vacuum hand pump "Silverline" 4.07370.07.0

- Rugged metal design
- With accessories
- In carrying case
- Dial: -1 ... +1.5 bar
- Selectable between pressure and vacuum



#### Pressure/vacuum hand pump 4.07370.02.0

- Cost effective plastic design
- With accessories
- Dial: -1 ... +1.5 bar
- Selectable between pressure and vacuum



#### Vacuum hand pump 4.07370.01.0

- Cost-effective plastic design
- With accessories
- Dial: -1000 ... 0 mbar



Repair kits and accessories → See next pages

The right of changes and deviating pictures is reserved.

**Pressure/vacuum hand pump**

4.07370.07.0 (metal version "Silverline")  
 4.07370.02.0 (plastic version)

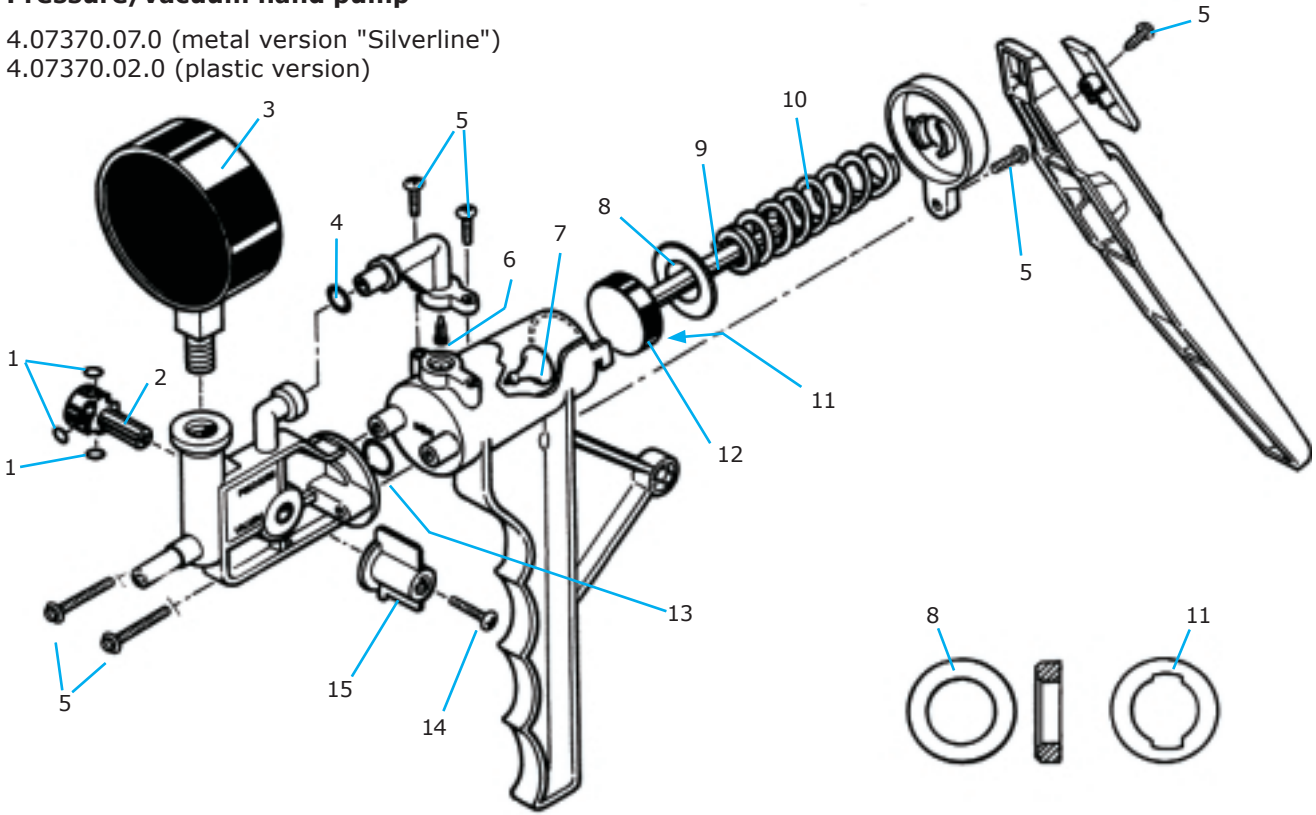


Fig. 1

**Vacuum hand pump**

4.07370.01.0 (plastic version)

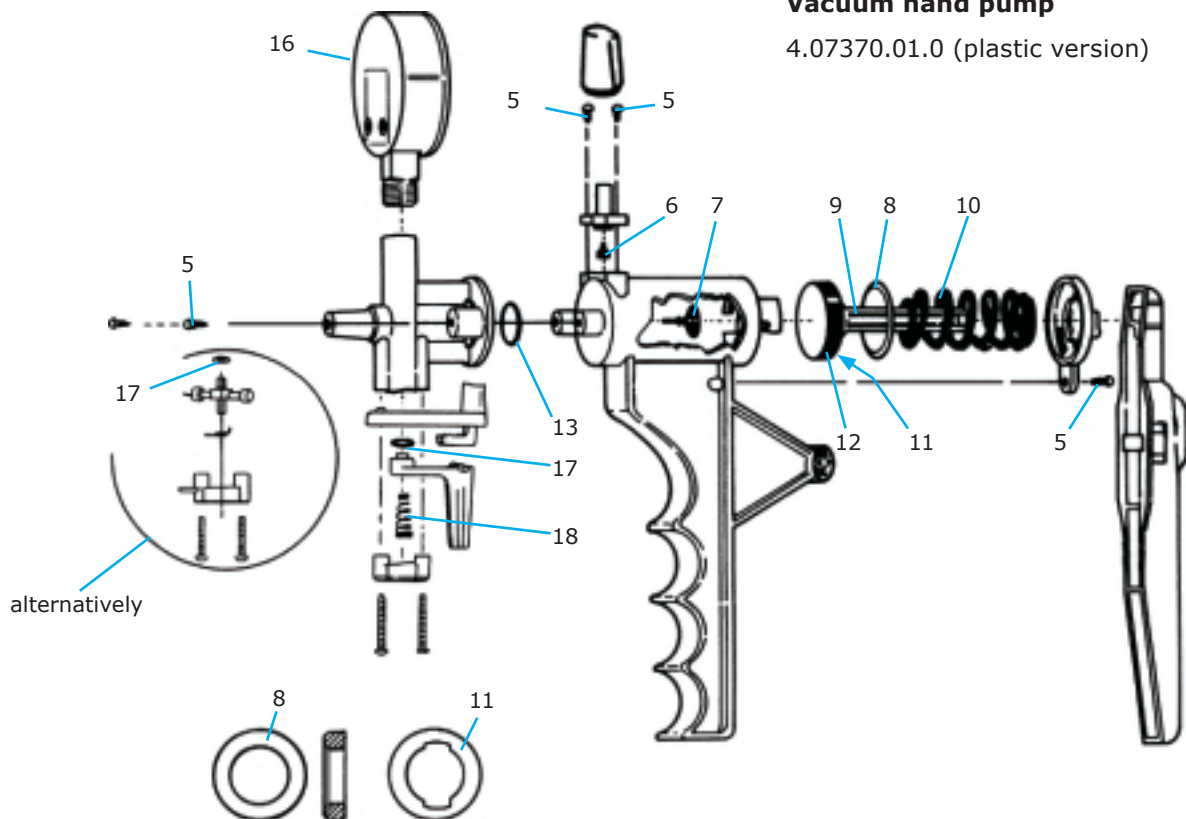


Fig. 2

## Repair kits

### 4.07370.25.0



#### Repair kit 1 "Plastic changeover valve"

suited for

- Pressure/vacuum hand pump 4.07370.02.0

Contents:

- |                    |                        |
|--------------------|------------------------|
| - O-ring (3 pcs.)  | Item <sup>1)</sup> (1) |
| - Rotary piston    | (2)                    |
| - O-ring           | (4)                    |
| - O-ring           | (13)                   |
| - Screw            | (14)                   |
| - Changeover lever | (15)                   |

### 4.07370.22.0



#### Repair kit 2 "Metal changeover valve"

suited for

- Pressure/vacuum hand pump 4.07370.07.0 "Silverline"

Contents:

- |                    |                        |
|--------------------|------------------------|
| - O-ring (3 pcs.)  | Item <sup>1)</sup> (1) |
| - Rotary piston    | (2)                    |
| - O-ring           | (4)                    |
| - O-ring           | (13)                   |
| - Screw            | (14)                   |
| - Changeover lever | (15)                   |

### 4.07370.23.0



#### Repair kit 3 "Plastic"

suited for

- Pressure/vacuum hand pump 4.07370.02.0
- Vacuum hand pump 4.07370.01.0

Contents:

- |                                  |                        |
|----------------------------------|------------------------|
| - Set of screws                  | Item <sup>1)</sup> (5) |
| - Sniffer valve                  | (6)                    |
| - Valve disk                     | (7)                    |
| - Support ring                   | (8)                    |
| - Piston body                    | (9)                    |
| - Compression spring             | (10)                   |
| - Collar ring                    | (11)                   |
| - Piston collar                  | (12)                   |
| - O-ring                         | (13)                   |
| - O-ring                         | (17)                   |
| - Cone-shaped compression spring | (18)                   |

### 4.07370.24.0



#### Repair kit 4 "Metal"

suited for

- Pressure/vacuum hand pump 4.07370.07.0 "Silverline"

Contents:

- |                                  |                        |
|----------------------------------|------------------------|
| - Set of screws                  | Item <sup>1)</sup> (5) |
| - Sniffer valve                  | (6)                    |
| - Valve disk                     | (7)                    |
| - Support ring                   | (8)                    |
| - Compression spring             | (10)                   |
| - Collar ring                    | (11)                   |
| - Piston collar                  | (12)                   |
| - O-ring                         | (13)                   |
| - O-ring                         | (17)                   |
| - Cone-shaped compression spring | (18)                   |



Before installing sealing components wet these with silicone oil. The silicone oil is not included in the delivery.

**Spare Parts**

**Vacuum manometer 4.07370.11.0**



suited for  
 - Vacuum hand pump 4.07370.01.0  
 - Dial:  
 -1000 ... 0 mbar  
 See Fig. 2, item (16), page 2

**Pressure/vacuum manometer 4.07370.12.0**



suited for  
 - Pressure/vacuum hand pump 4.07370.07.0 "Silverline"  
 - Pressure/vacuum hand pump 4.07370.02.0  
 - Dial:  
 -1 ... +1.5 bar  
 See Fig. 1, item (3), page 2

**Accessories**

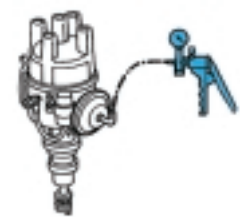
**Vessel for liquids 120 ml 4.05299.54.0**



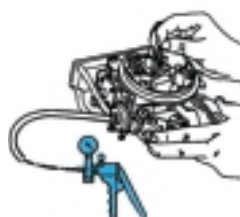
**Assortment of intermediate pieces 4.07371.00.0**



**Application Examples**



Checking the ignition vacuum adjustment



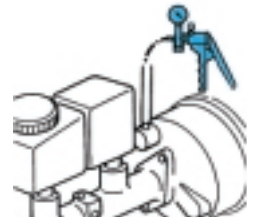
Checking the settings at the carburettor



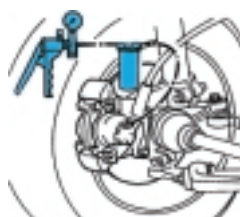
Checking the fuel pressure controller



Checking the exhaust gas return (EGR)



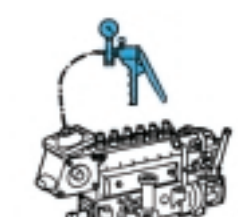
Checking the brake booster



Draining, respectively venting the brake system



Draining out the coupling fluid



Checking the fuel injection pump



Checking the turbo pressure



Checking the discharge valve of turbo engines